

TNSD

### Application:

- Supply and return air grilles are designed to be used in HVAC.
- Directly mountable to circular cross-section ducts.

### Type:

- **TNSD** - Simple line air grilles
- **TNDD** - Double line air grilles

### Blades:

- Vertical, individually adjustable blades, parallel to the shorter side in front

### Material:

- Air grilles are made of galvanized steel. Frame of the grilles are supplied with sealing strip.

#### Option:

- Air grilles are made of steel sheet and powder coated in RAL 9010 white.
- Air grilles are made of stainless steel.

### Fixing:

- Air grilles are fixed by visible screw through the frame.

### Accessories:

- **ALN** - control damper with manual adjustment steel sheet, powder coated in RAL 9005 black



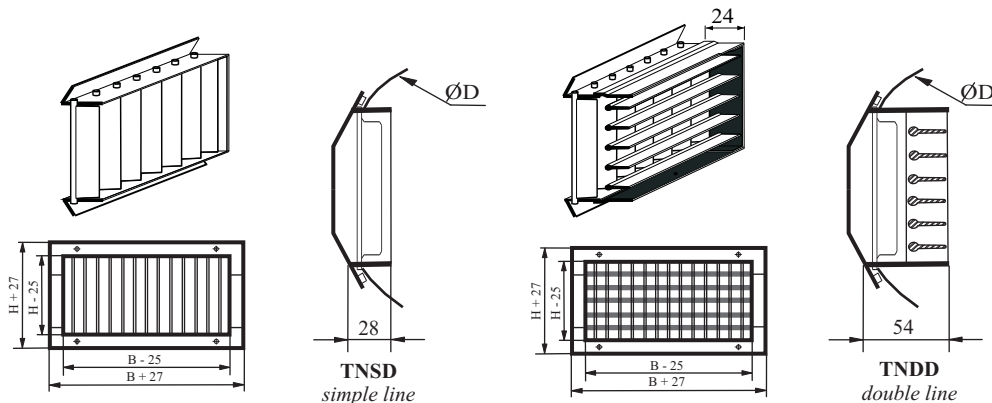
- **RGP** - control damper hit and miss construction parallel control face steel sheet, powder coated in RAL 9005 black



- **RGI** - control damper hit and miss construction bevel control face steel sheet, powder coated in RAL 9005 black



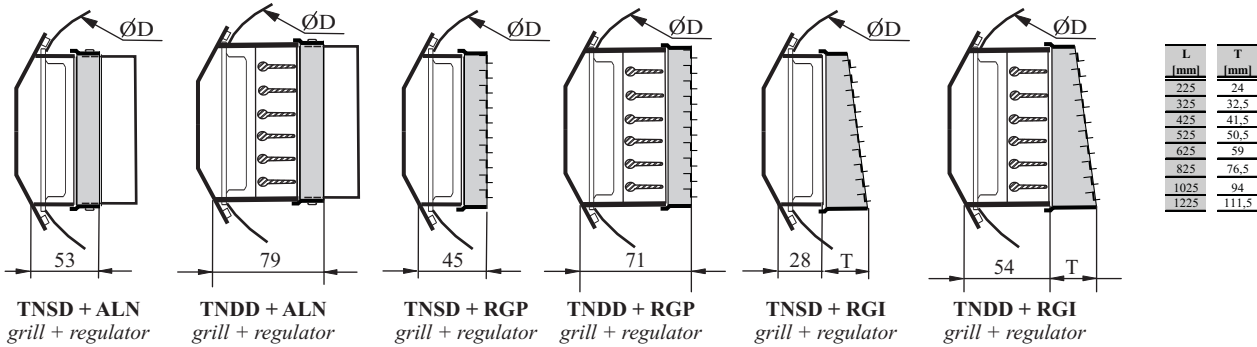
## Main dimension of the duct grilles type TNSD / TNDD



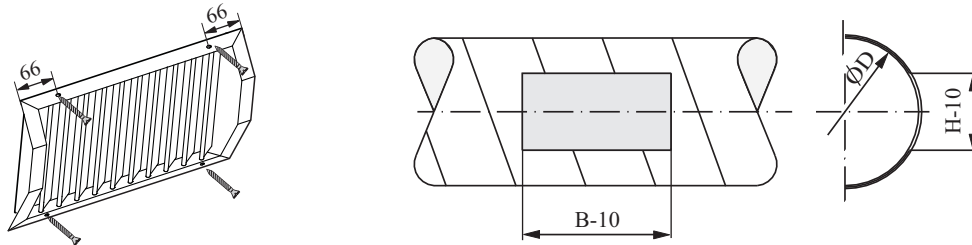
## Dimension of the duct grilles type TNSD / TNDD

ØD min.	ØD max.	B	H	225	325	425	525	625	825	1025	1225
150	315	75									
315	400	100									
400	630	125									
630	800	175									
800	1000	225									
1000	1400	325									
1400	2000	425									

### Duct grilles type TNSD / TNDD with regulator



### Installation of duct grilles type TNSD / TNDD



### Effective surface and weight of duct grilles type TNSD / TNDD

H \ B	225	325	425	525	625	825	1025	1225
75	0,008	0,012	0,015	0,019	0,023	0,030	0,039	0,045
100	0,012	0,017	0,023	0,029	0,034	0,045	0,058	0,068
125	0,016	0,023	0,031	0,038	0,046	0,061	0,078	0,091
175	0,027	0,040	0,053	0,067	0,080	0,106	0,136	0,158
225	0,031	0,046	0,061	0,076	0,091	0,121	0,155	0,181
325		0,069	0,092	0,114	0,137	0,182	0,233	0,272
425			0,122	0,152	0,182	0,242	0,310	0,362

H \ B	225	325	425	525	625	825	1025	1225
75	0,3	0,44	0,59	0,74	0,89	1,19	1,49	1,78
100	0,33	0,49	0,65	0,81	0,98	1,3	1,62	1,94
125	0,37	0,54	0,71	0,89	1,06	1,41	1,75	2,10
175	0,44	0,64	0,84	1,03	1,23	1,62	2,02	2,41
225	0,51	0,74	0,96	1,18	1,40	1,84	2,28	2,72
325		0,93	1,20	1,47	1,77	2,27	2,81	3,35
425			1,44	1,76	2,07	2,71	3,34	3,97

Effective surface of duct grilles type TNSD - A<sub>eff</sub> [m<sup>2</sup>]

H \ B	225	325	425	525	625	825	1025	1225
75	0,006	0,009	0,011	0,014	0,017	0,022	0,029	0,033
100	0,009	0,013	0,017	0,021	0,025	0,033	0,043	0,050
125	0,011	0,016	0,021	0,026	0,031	0,041	0,052	0,061
175	0,020	0,030	0,039	0,049	0,059	0,078	0,100	0,116
225	0,021	0,031	0,041	0,051	0,061	0,081	0,104	0,121
325		0,047	0,062	0,077	0,092	0,122	0,156	0,182
425			0,082	0,102	0,122	0,162	0,208	0,242

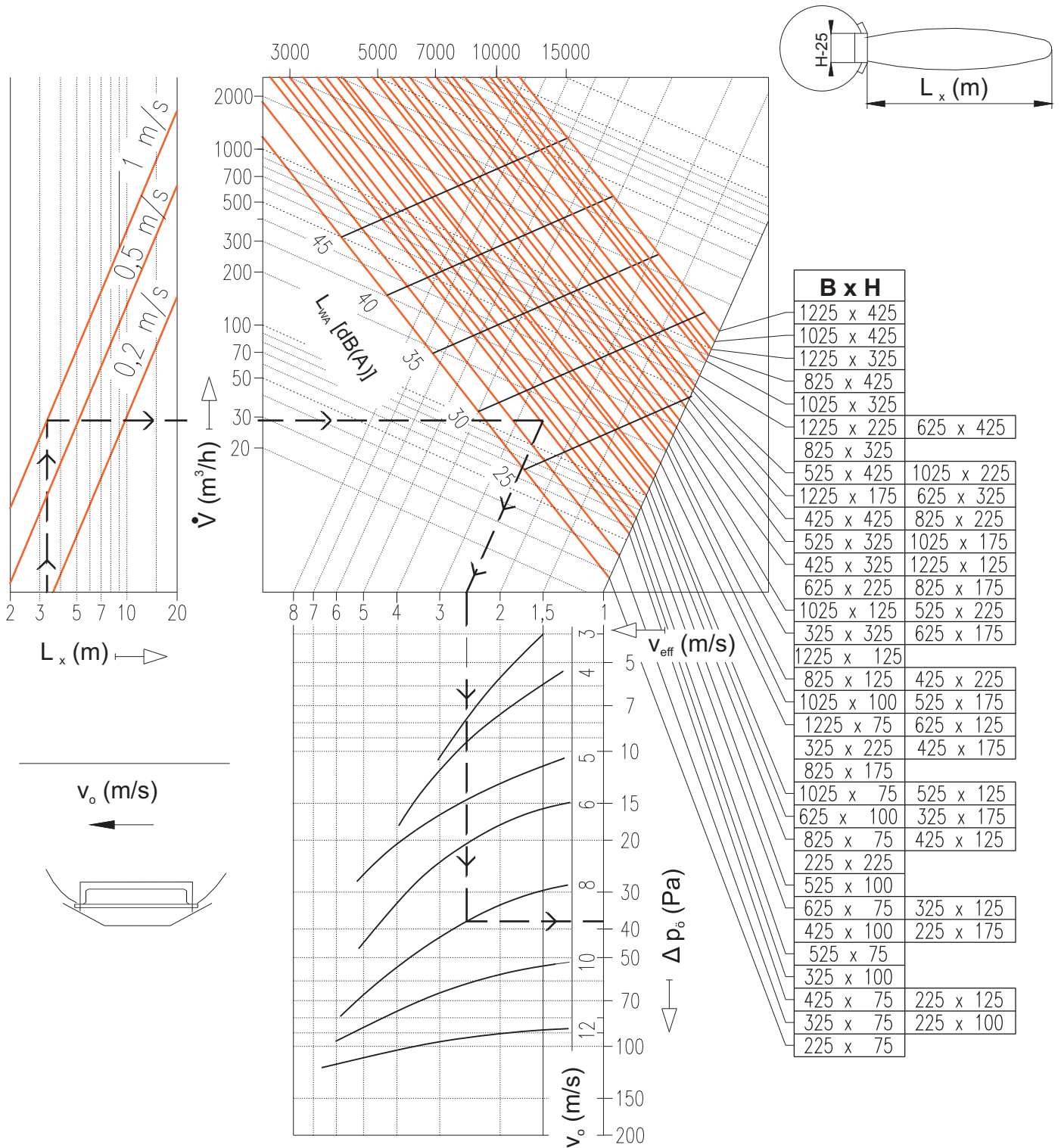
Weight of duct grilles type TNSD [kg]

H \ B	225	325	425	525	625	825	1025	1225
75	0,41	0,59	0,79	0,98	1,17	1,56	1,95	2,33
100	0,59	0,72	0,95	1,17	1,40	1,85	2,31	2,77
125	0,58	0,84	1,10	1,37	1,63	2,16	2,68	3,21
175	0,44	0,64	0,84	1,03	1,23	1,62	2,02	2,41
225	0,87	1,24	1,60	1,97	2,33	3,05	3,78	4,50
325		1,63	2,09	2,56	3,05	3,95	4,88	5,81
425			2,58	3,15	3,71	4,85	5,98	7,11

Effective surface of duct grilles type TNDD - A<sub>eff</sub> [m<sup>2</sup>]

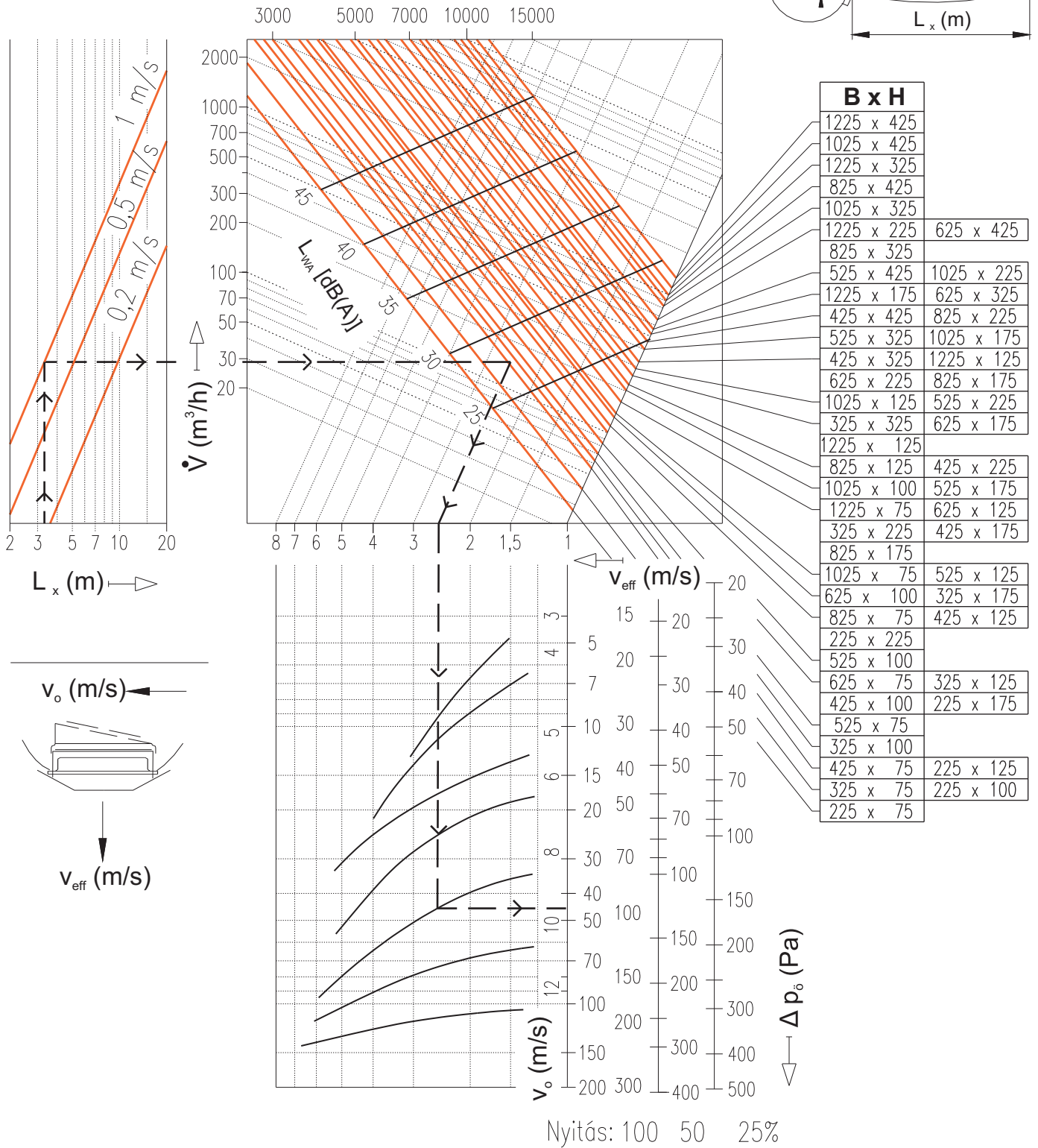
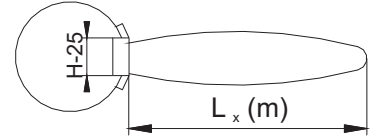
Weight of duct grilles type TNDD [kg]

Please contact with our colleagues in case of different dimension!

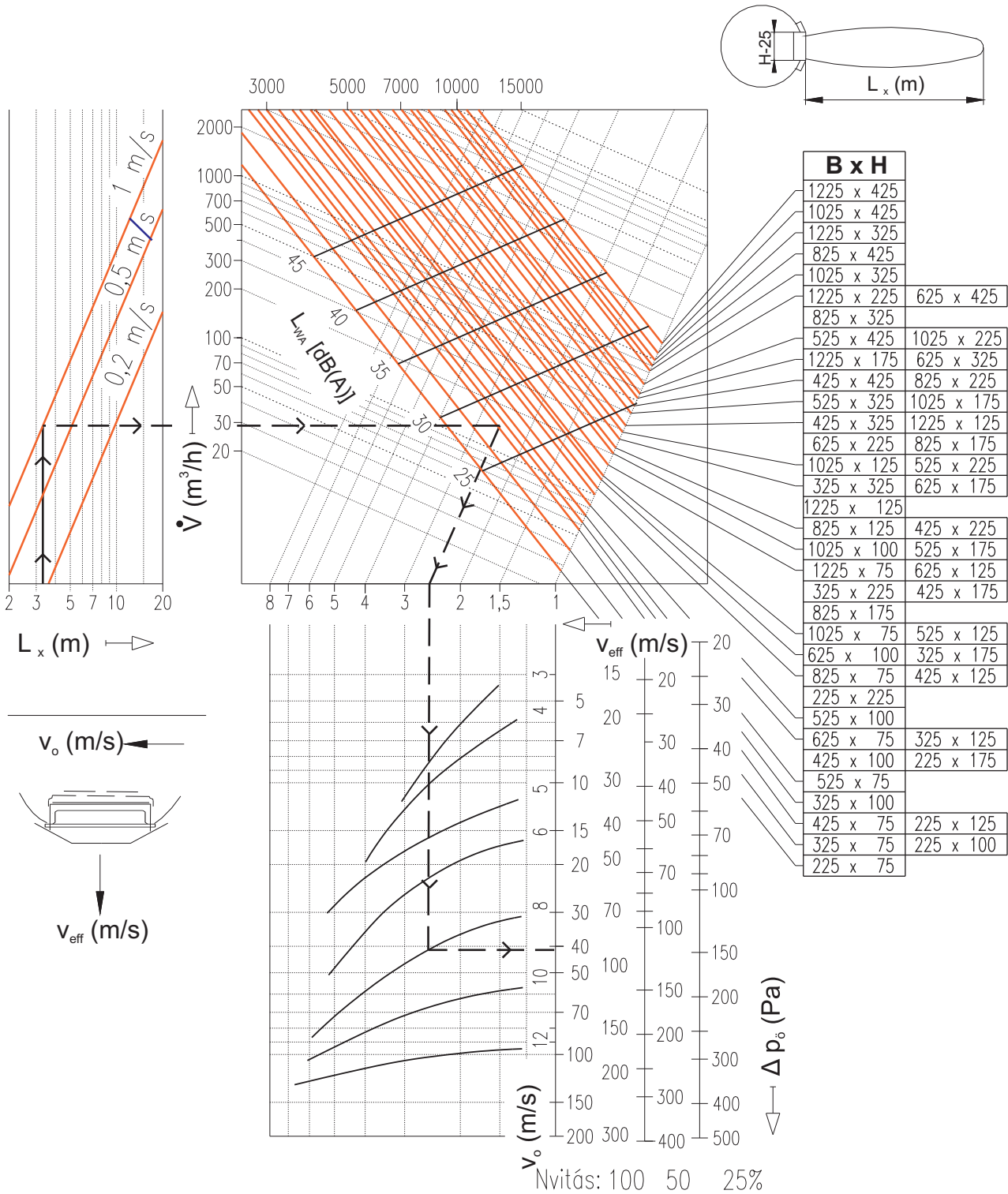


B x H	
1225 x 425	
1025 x 425	
1225 x 325	
825 x 425	
1025 x 325	
1225 x 225	625 x 425
825 x 325	
525 x 425	1025 x 225
1225 x 175	625 x 325
425 x 425	825 x 225
525 x 325	1025 x 175
425 x 325	1225 x 125
625 x 225	825 x 175
1025 x 125	525 x 225
325 x 325	625 x 175
1225 x 125	
825 x 125	425 x 225
1025 x 100	525 x 175
1225 x 75	625 x 125
325 x 225	425 x 175
825 x 175	
1025 x 75	525 x 125
625 x 100	325 x 175
825 x 75	425 x 125
225 x 225	
525 x 100	
625 x 75	325 x 125
425 x 100	225 x 175
525 x 75	
325 x 100	
425 x 75	225 x 125
325 x 75	225 x 100
225 x 75	

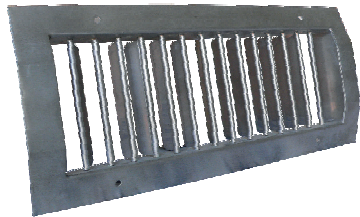
### Selection of duct grilles type TNSD



**Selection of duct grilles type TNSD with regulator type RGI**



Selection of duct grilles type TNDD with regulator type RGP



**TNSDU**

### Application:

- Supply and return air grilles are designed to be used in HVAC.
- Directly mountable to circular cross-section ducts.

### Type:

- **TNSDU** - Simple line air grilles

### Blades:

- Vertical, individually adjustable blades, parallel to the shorter side in front

### Material:

- Air grilles are made of galvanized steel.


### Option:


- Air grilles are made of steel sheet and powder coated in RAL 9010 white.


### Fixing:

- Air grilles are fixed by visible screw through the frame.

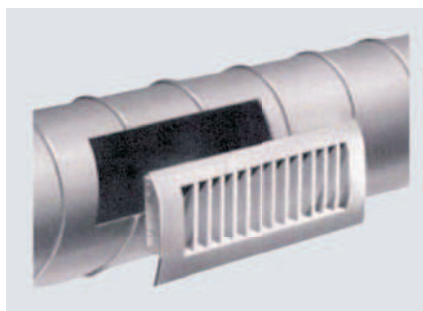
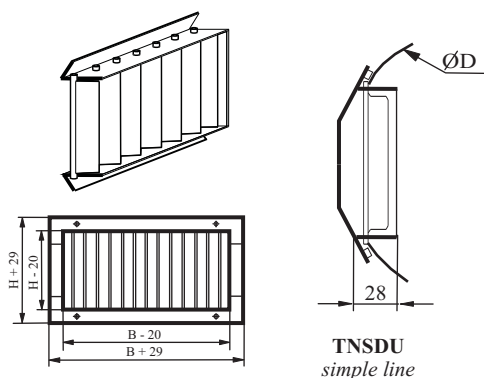
### Accessories:

- **ALN** - control damper with manual adjustment steel sheet, powder coated in RAL 9005 black 

- **RGP** - control damper hit and miss construction parallel control face steel sheet, powder coated in RAL 9005 black 

- **RGI** - control damper hit and miss construction bevel control face steel sheet, powder coated in RAL 9005 black 

### Main dimension of duct grilles type TNSDU



### TNSDU to circular duct

Dim. B x H (mm)	ØD min.	ØD max.
425x75	150	400
525x75	150	400
425x125	315	900
525x125	315	900
425x225	600	1400
625x225	600	1400