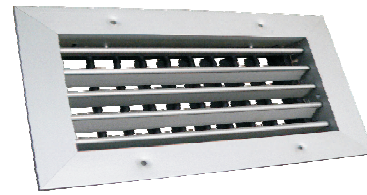




**ASD-H**



**ADD-H**

### Application:

- Supply and return air grilles are designed to be used in HVAC.
- Directly mountable to wall opening and air duct.

### Type:

- **ASD-H...** - Simple line grilles - horizontal
- **ADD-H...** - Double line grilles - horizontal

### Blades:

- horizontal, individually adjustable blades, parallel to the longer side in front

### Material:

- Air grilles are made of anodised aluminium in nature aluminium colour.
  - The second line is powder coated black RAL 9005.
- Frame of the grilles are supplied with sealing strip.

### Option:

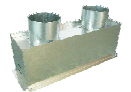
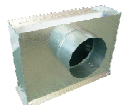
- The grilles are powder coated according to RAL colours.

### Fixing:

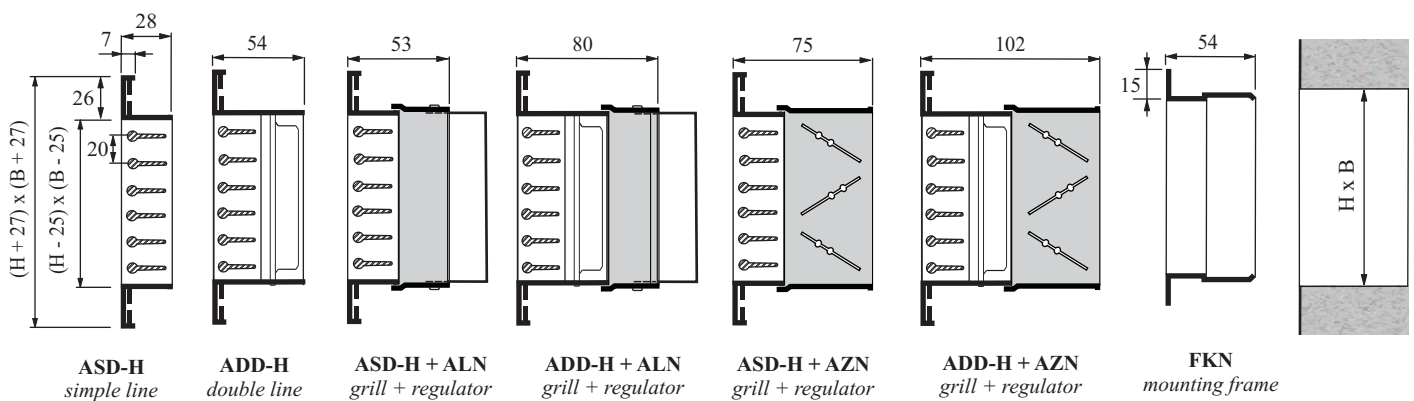
- **ASD-H-C** - visible screw fixing
- **ASD-H-R** - hidden fastening

### Accessories:

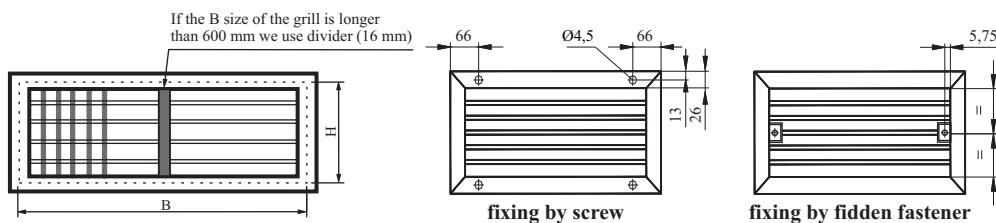
- **ALN** - control damper with manual adjustment steel sheet, powder coated in RAL 9005 black
- **AZN** - opposed blade action control damper steel sheet, powder coated in RAL 9005 black
- **FKN** - mounting frame galvanized steel
- **BBL** - plenum box with side connection galvanized steel
- **BBF** - plenum box with upper connection galvanized steel



### Dimension of the grilles type ASD-H / ADD-H

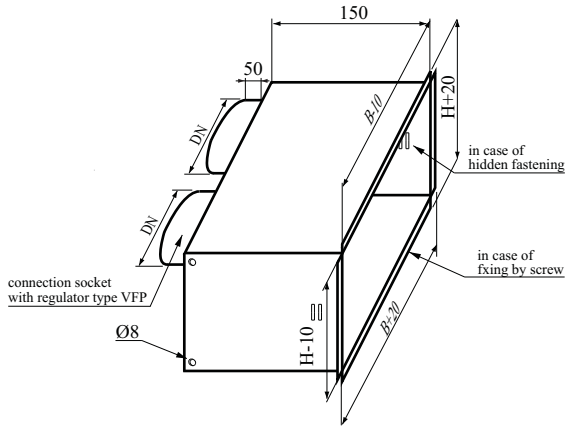


### Fixing of grilles type ASD-H / ADD-H

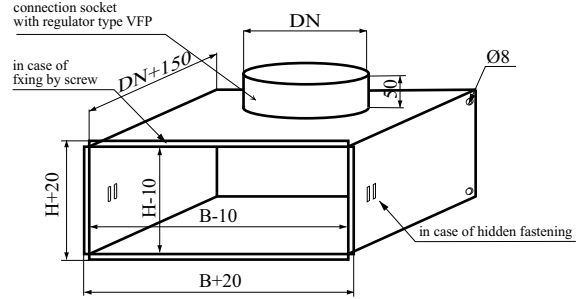


### Plenum boxes to air grilles type ASD-H / ADD-H

BBF - plenum box with upper connection



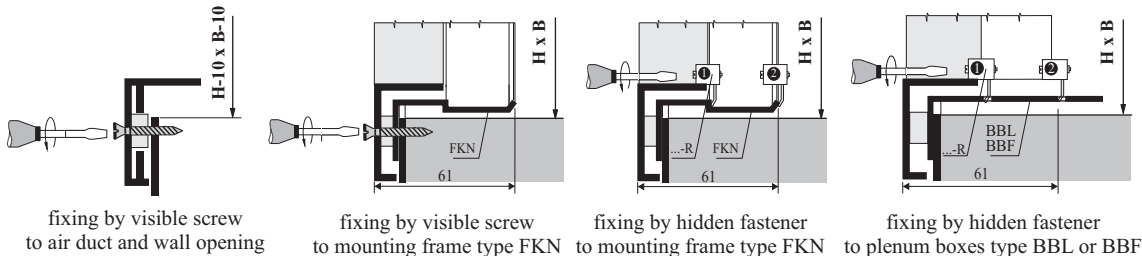
BBL - plenum box with side connection



H \ B	DN							
	225	325	425	525	625	825	1025	1225
125	100	100	2x100	2x100	2x100	3x100	3x100	3x100
225	125	160	200	200	2x160	2x200	2x200	2x200
325		200	250	250	2x200	2x200	2x250	2x250
425			250	315	315	2x250	2x315	2x315

H \ B	DN							
	225	325	425	525	625	825	1025	1225
125	100	125	160	160	160	200	200	250
225	125	160	200	200	250	250	315	315
325		200	250	250	315	315	2x250	2x250
425			250	315	315	2x250	2x315	2x315

### Installation of air grilles type ASD-H / ADD-H



- Position ①  
Simple line air grilles
- Position ②  
Double line air grilles

### Effective surface and weight of air grilles type ASD-H / ADD-H

H \ B	Effective surface							
	225	325	425	525	625	825	1025	1225
125	0,015	0,023	0,030	0,038	0,045	0,058	0,075	0,088
225	0,030	0,045	0,060	0,075	0,090	0,117	0,150	0,177
325		0,068	0,090	0,113	0,135	0,175	0,225	0,265
425			0,120	0,150	0,180	0,234	0,300	0,354

Effective surface of air grilles type ASD-H -  $A_{eff}$  [m<sup>2</sup>]

H \ B	Effective surface							
	225	325	425	525	625	825	1025	1225
125	0,011	0,016	0,021	0,026	0,031	0,039	0,051	0,059
225	0,022	0,032	0,042	0,052	0,062	0,079	0,102	0,119
325		0,048	0,063	0,078	0,093	0,118	0,153	0,178
425			0,084	0,104	0,124	0,158	0,204	0,238

Effective surface of air grilles type ADD-H -  $A_{eff}$  [m<sup>2</sup>]

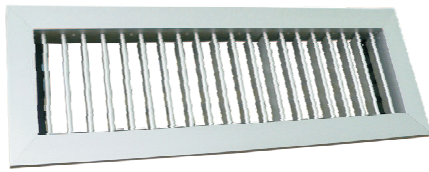
H \ B	Weight							
	225	325	425	525	625	825	1025	1225
125	0,44	0,56	0,68	0,80	0,92	1,16	1,40	1,65
225	0,50	0,68	0,87	1,05	1,24	1,61	1,98	2,36
325		0,88	1,14	1,39	1,64	2,14	2,65	3,15
425			1,41	1,72	2,04	2,67	3,31	3,94

Weight of air grilles type ASD-H [kg]

H \ B	Weight							
	225	325	425	525	625	825	1025	1225
125	0,65	0,86	1,07	1,28	1,49	1,91	2,33	2,76
225	0,86	1,18	1,51	1,84	2,17	2,82	3,48	4,14
325		1,58	2,03	2,48	2,92	3,82	4,72	5,61
425			2,55	3,11	3,68	4,81	5,95	7,08

Weight of air grilles type ADD-H [kg]

Please contact with our colleagues in case of different dimension!



ASD-V



ADD-V

### Application:

- Supply and return air grilles are designed to be used in HVAC.
- Directly mountable to wall opening and air duct.

### Type:

- ASD-V-... - Simple line grilles - vertical
- ADD-V-... - Double line grilles - vertical

### Blades:

- vertical, individually adjustable blades, parallel to the shorter side in front

### Material:

- Air grilles are made of anodised aluminium in nature aluminium colour.
- The second line is powder coated black RAL 9005. Frame of the grilles are supplied with sealing strip.

### Option:

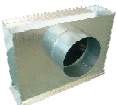
- The grilles are powder coated according to RAL colours.

### Fixig:

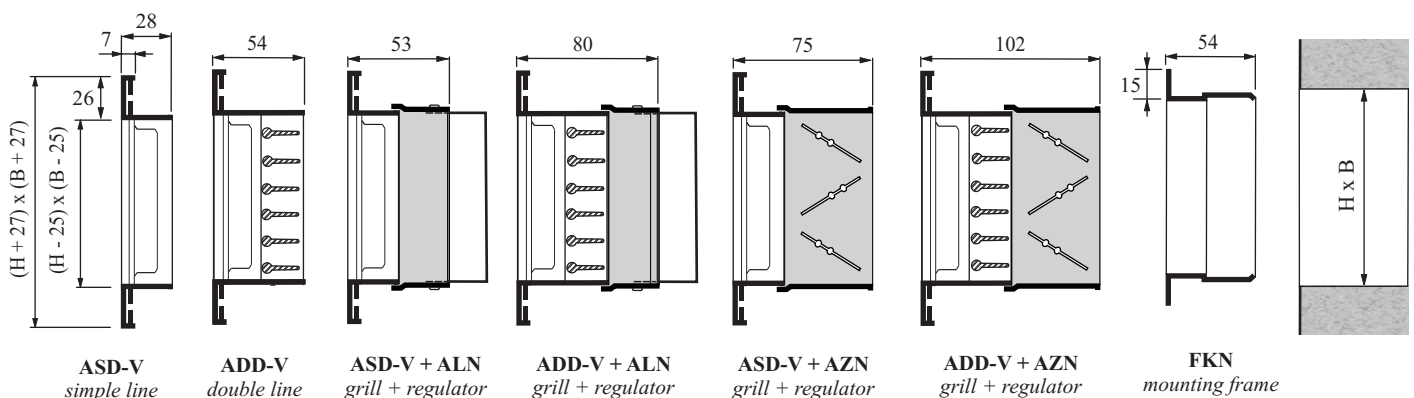
- ASD-V-C - visible screw fixing
- ASD-V-R - hidden fastening

### Accessories:

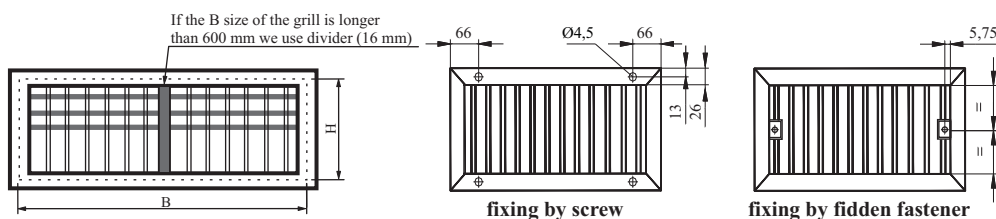
- ALN - control damper with manual adjustment steel sheet, powder coated in RAL 9005 black
- AZN - opposed blade action control damper steel sheet, powder coated in RAL 9005 black
- FKN - mounting frame galvanized steel
- BBL - plenum box with side connection galvanized steel
- BBF - plenum box with upper connection galvanized steel



### Dimension of air grilles type ASD-V / ADD-V

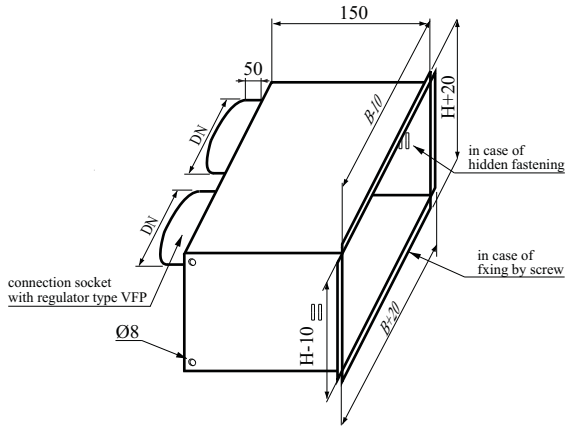


### Fixing of grilles type ASD-V / ADD-V

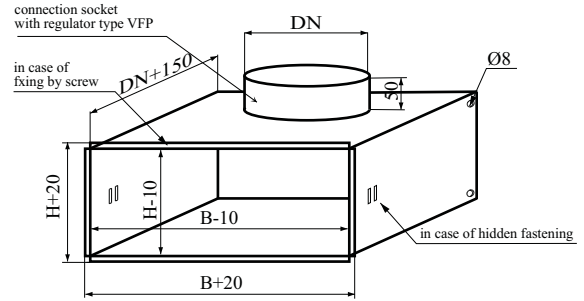


### Plenum boxes to air grilles type ASD-V / ADD-V

BBF - plenum box with upper connection



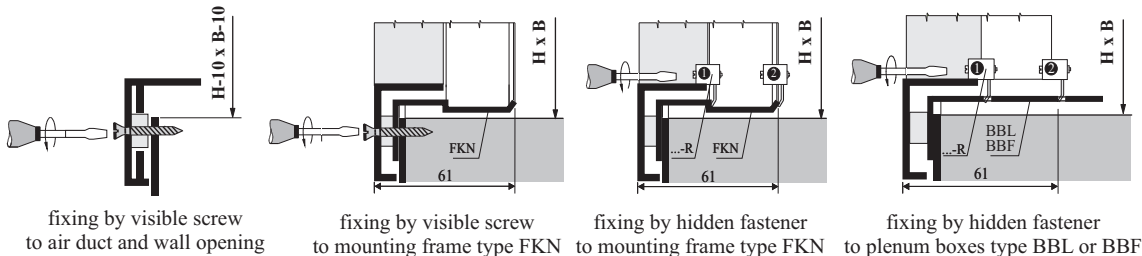
BBL - plenum box with side connection



H \ B	DN							
	225	325	425	525	625	825	1025	1225
125	100	100	2x100	2x100	2x100	3x100	3x100	3x100
225	125	160	200	200	2x160	2x200	2x200	2x200
325		200	250	250	2x200	2x200	2x250	2x250
425			250	315	315	2x250	2x315	2x315

H \ B	DN							
	225	325	425	525	625	825	1025	1225
125	100	125	160	160	160	200	200	250
225	125	160	200	200	250	250	315	315
325		200	250	250	315	315	2x250	2x250
425			250	315	315	2x250	2x315	2x315

### Installation of air grilles type ASD-V / ADD-V



- Position ①  
Simple line air grilles
- Position ②  
Double line air grilles

### Effective surface and weight of air grilles type ASD-V / ADD-V

H \ B	Effective surface of air grilles type ASD-V - A <sub>eff</sub> [m <sup>2</sup> ]							
	225	325	425	525	625	825	1025	1225
125	0,015	0,023	0,030	0,038	0,045	0,058	0,075	0,088
225	0,030	0,045	0,060	0,075	0,090	0,117	0,150	0,177
325		0,068	0,090	0,113	0,135	0,175	0,225	0,265
425			0,120	0,150	0,180	0,234	0,300	0,354

H \ B	Weight of air grilles type ASD-V [kg]							
	225	325	425	525	625	825	1025	1225
125	0,44	0,56	0,68	0,80	0,92	1,16	1,40	1,65
225	0,50	0,68	0,87	1,05	1,24	1,61	1,98	2,36
325		0,88	1,14	1,39	1,64	2,14	2,65	3,15
425			1,41	1,72	2,04	2,67	3,31	3,94

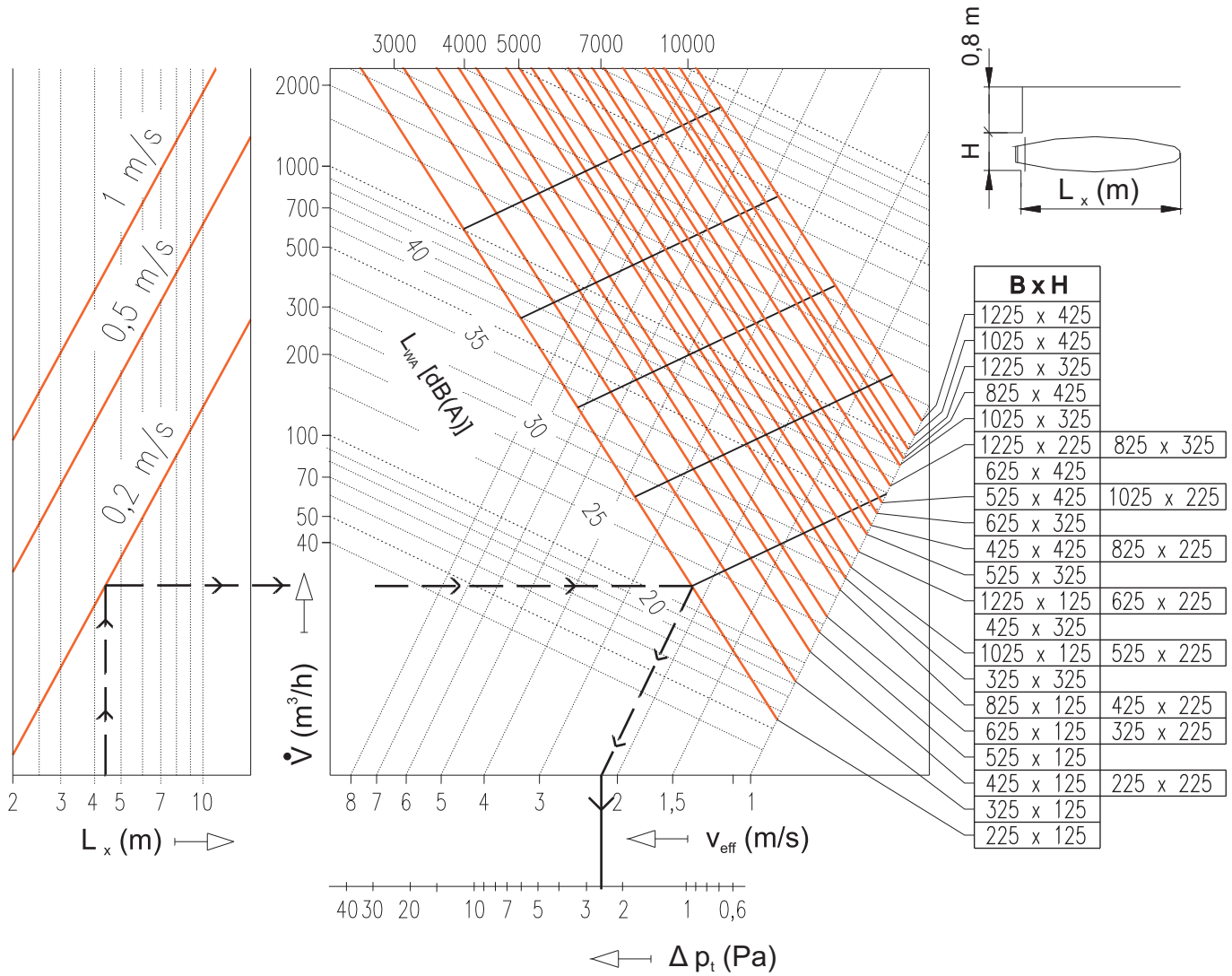
H \ B	Effective surface of air grilles type ADD-V - A <sub>eff</sub> [m <sup>2</sup> ]							
	225	325	425	525	625	825	1025	1225
125	0,011	0,016	0,021	0,026	0,031	0,039	0,051	0,059
225	0,022	0,032	0,042	0,052	0,062	0,079	0,102	0,119
325		0,048	0,063	0,078	0,093	0,118	0,153	0,178
425			0,084	0,104	0,124	0,158	0,204	0,238

H \ B	Weight of air grilles type ADD-V [kg]							
	225	325	425	525	625	825	1025	1225
125	0,65	0,86	1,07	1,28	1,49	1,91	2,33	2,76
225	0,86	1,18	1,51	1,84	2,17	2,82	3,48	4,14
325		1,58	2,03	2,48	2,92	3,82	4,72	5,61
425			2,55	3,11	3,68	4,81	5,95	7,08

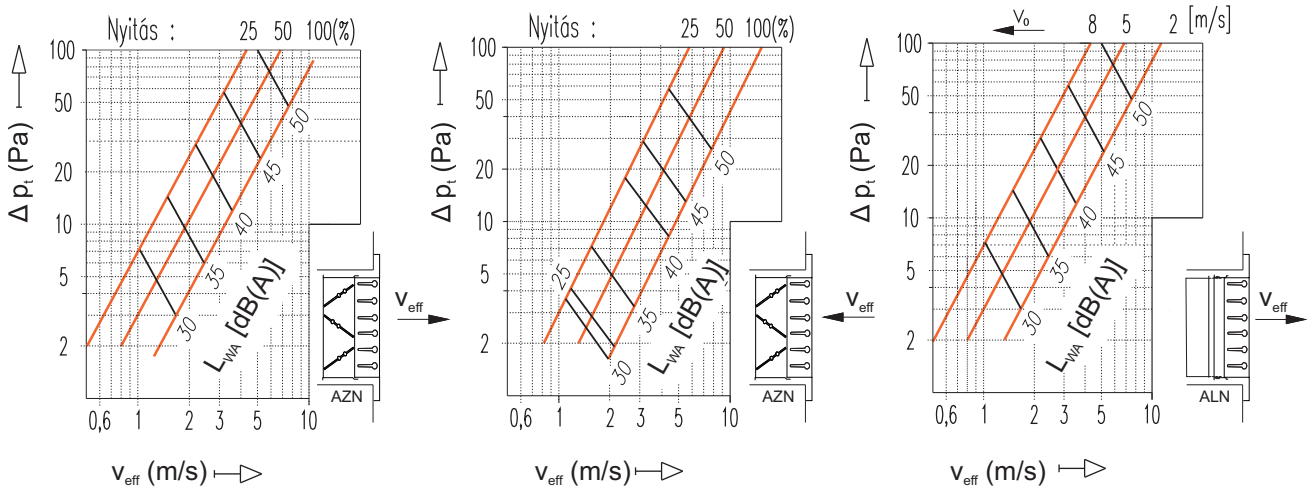
Effective surface of air grilles type ADD-V - A<sub>eff</sub> [m<sup>2</sup>]

Weight of air grilles type ADD-V [kg]

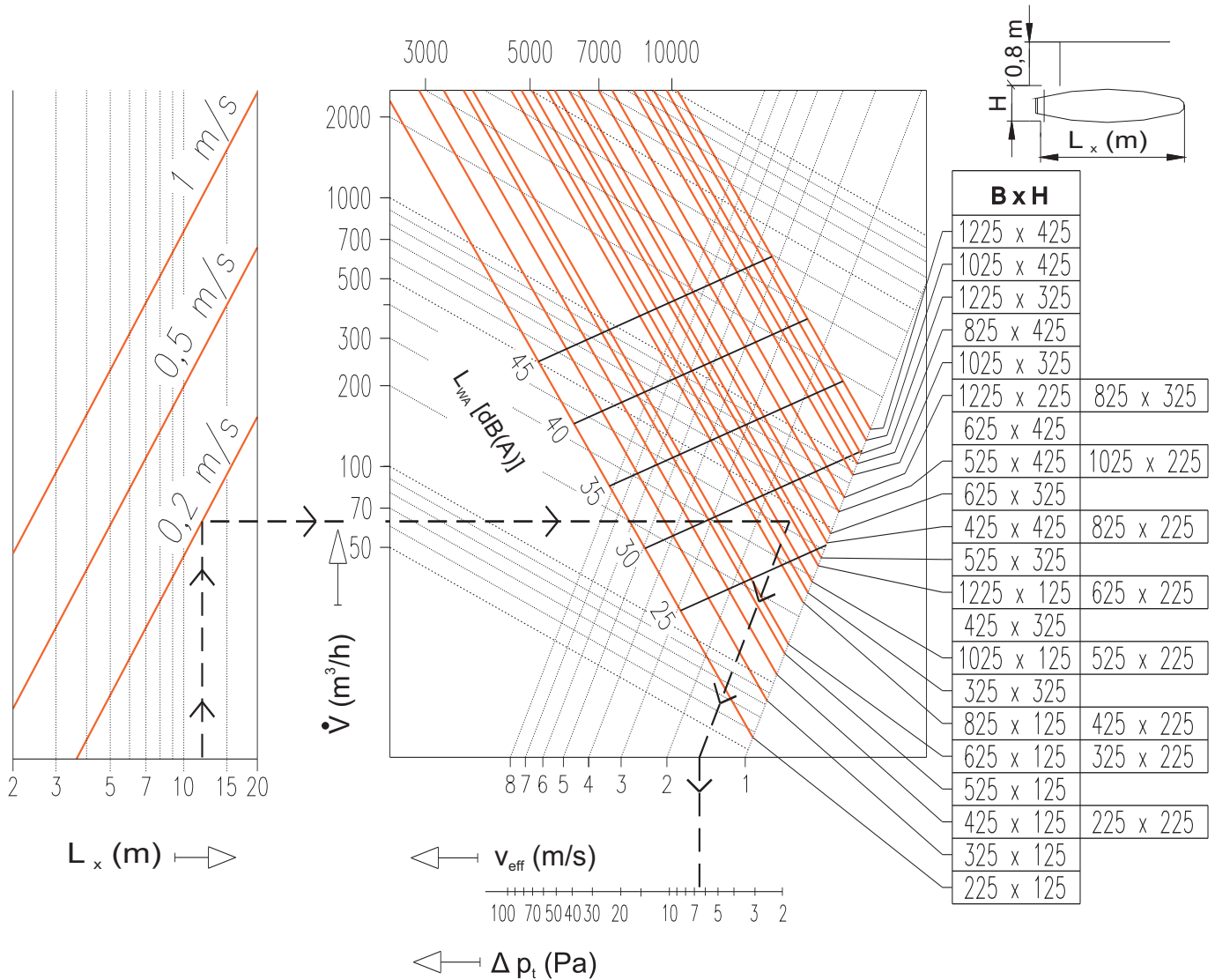
Please contact with our colleagues in case of different dimension!



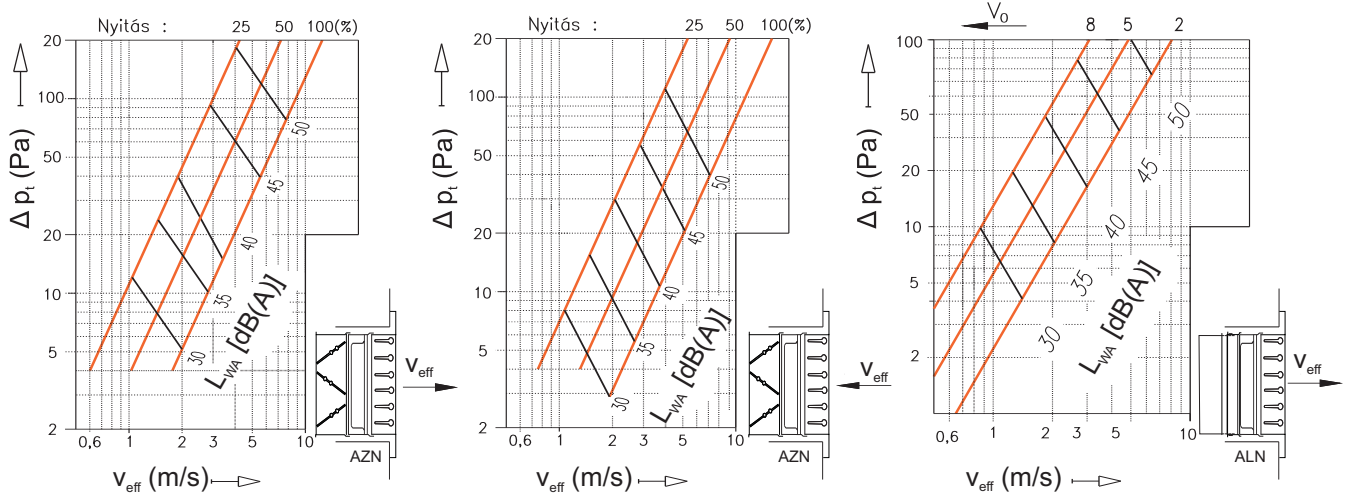
### Selection of air grilles type ASD



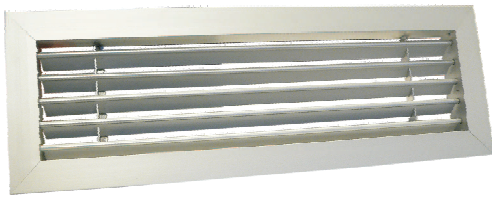
### Pressure drop of air grilles type ASD with regulator type AZN and ALN



### Selection of air grilles type ADD



### Pressure drop of air grilles type ADD with regulator type AZN and ALN



**ASD-F**

**Application:**

- Supply and return air grilles are designed to be used in HVAC.
- Directly mountable to wall opening and air duct.

**Type:**

- *CSD-F-...* - Simple line grilles - fix

**Blades:**

- horizontal, blades at an angle of 45°, parallel to the longer side in front

**Material:**

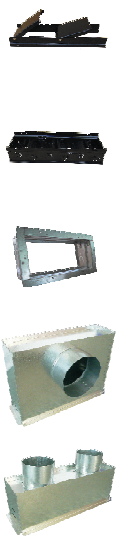
- Air grilles are made of steel sheet and powder coated in RAL 9010 white.
- Frame of the grilles are supplied with sealing strip.

**Fixing:**

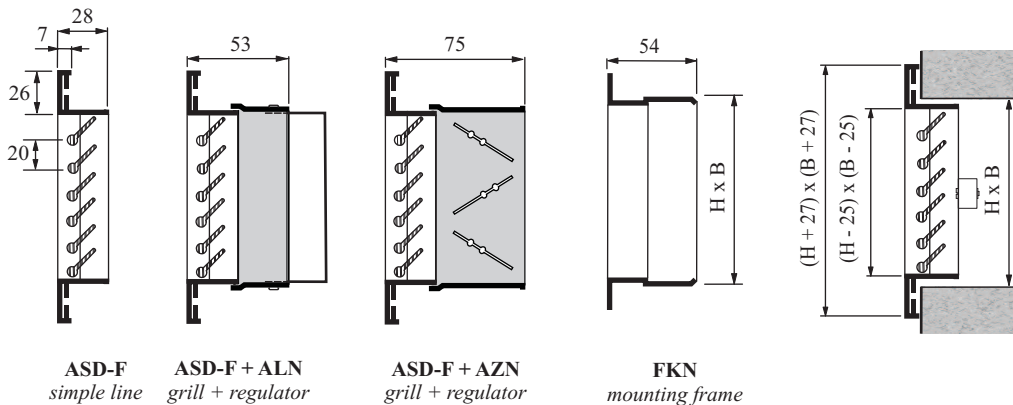
- *ASD-F-C* - visible screw fixing
- *ASD-F-R* - hidden fastening

**Accessories:**

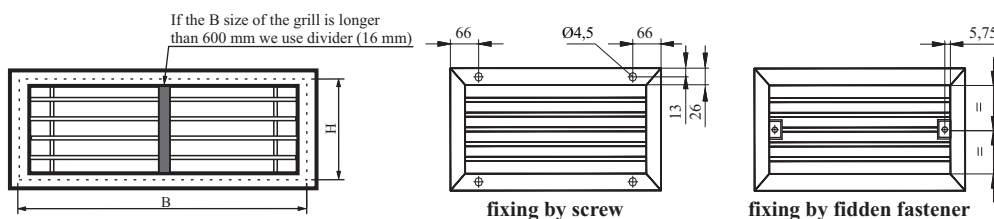
- *ALN* - control damper with manual adjustment steel sheet, powder coated in RAL 9005 black
- *AZN* - opposed blade action control damper steel sheet, powder coated in RAL 9005 black
- *FKN* - mounting frame galvanized steel
- *BBL* - plenum box with side connection galvanized steel
- *BBF* - plenum box with upper connection galvanized steel



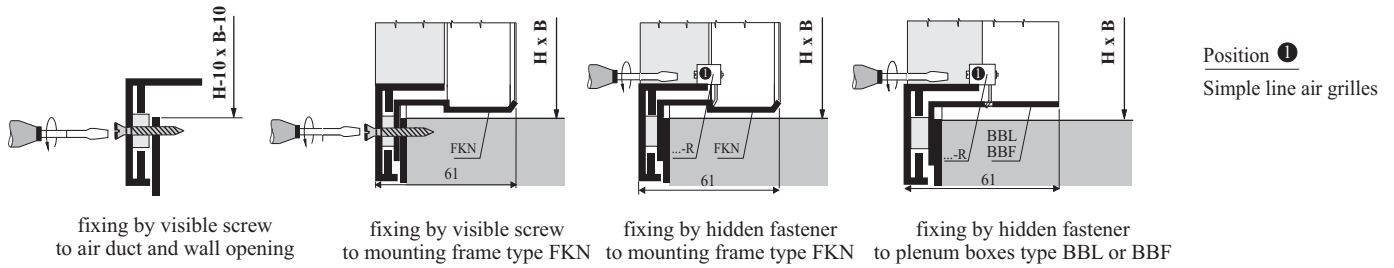
**Dimension of air grilles type ASD-F**



**Fixing of grilles type ASD-F**



### Installation of air grilles type ASD-F



### Effective surface and weight of air grilles type ASD-F

H \ B	225	325	425	525	625	825	1025	1225
125	0,014	0,021	0,029	0,036	0,044	0,059	0,075	0,089
225	0,027	0,042	0,057	0,072	0,087	0,117	0,150	0,177
325		0,063	0,086	0,108	0,131	0,176	0,225	0,266
425			0,114	0,144	0,174	0,234	0,300	0,354

Effective surface of air grilles type ASD-F -  $A_{eff}$  [m<sup>2</sup>]

H \ B	225	325	425	525	625	825	1025	1225
125	0,51	0,63	0,75	0,87	0,99	1,23	1,47	1,72
225	0,62	0,80	0,99	1,17	1,36	1,83	2,10	2,48
325		1,06	1,32	1,57	1,82	2,32	2,73	3,33
425			1,65	1,96	2,28	2,91	3,55	4,18

Weight of air grilles type ASD-F [kg]

### ASD-F air grilles - selection

